

m ē k ā

mēkā

a product innovation agency

we develop customer-centric
innovation - business models,
products or services to help
companies unlock new revenue
streams.

Innovation Design

Stage 1: Discovery

We ask questions to ensure that we thoroughly understand the problem and parameters we are working within. This allows us to better the client's and the users needs.

Stage 2: Design

We come together to find ways to break barriers. We use what we have learnt to create scenarios and test outcomes till we arrive at a suitable starting point for development.

Stage 3: Development

This is where we build. Whether it's a new product, service or a whole new business, we are ready for the challenge. Our small but effective team of designers and engineers will bring your ideas to life.

Product Development Process

Stage 1: Design

This is the planning phase. We research and ideate to gain critical insights to help you make better decisions.

This is a fixed cost - fixed timeline assignment.

Stage 2: Prototype

This is the building phase. We build multiple prototypes to test different forms and functions to iterate to the best product possible.

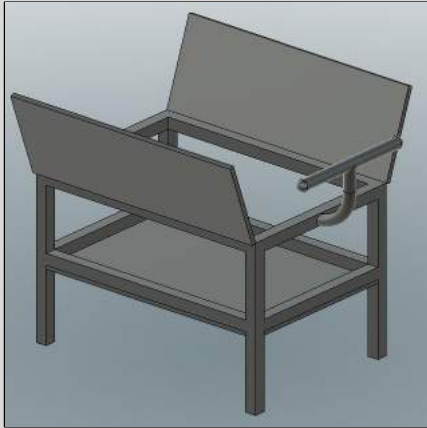
Costs and timeline for Stage 2: Prototype will be quoted for at the end of Stage 1.

Stage 3: Building

This is the production phase. We arrange manufacturing, either in-house or through partners to manufacture your products - on-time and to a high-quality.

Costs and timeline for Stage 3: Manufacture will be quoted for at the end of Stage 2.

PID Soup Cart



Reverse Engineering



Idea Sketch



CAD Modeling



Manufacture Casing

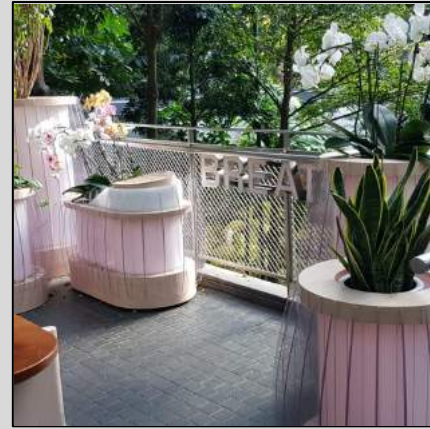
Jewel “Breathe” Installation



Wood and Polycarbonate



Full installation at night

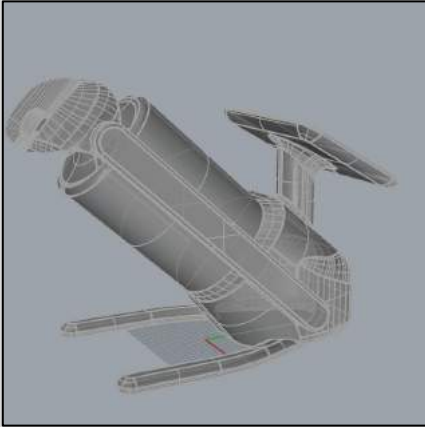


Full installation in the day

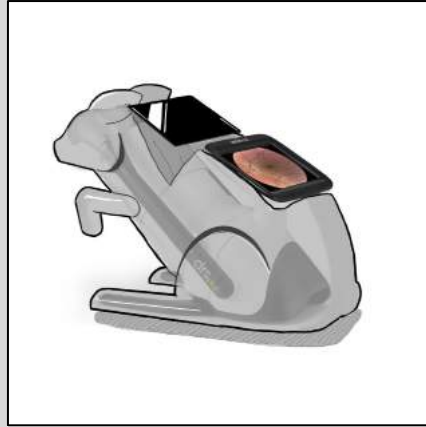


Integrated lighting and electronics

Mama Rabbit



Reverse Engineering



Idea Sketch

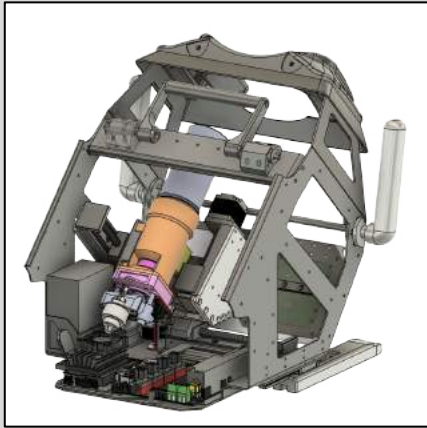


CAD Modeling



Manufacture Casing

Wallaby



Internal Structuring



Idea Sketch



CAD Modeling

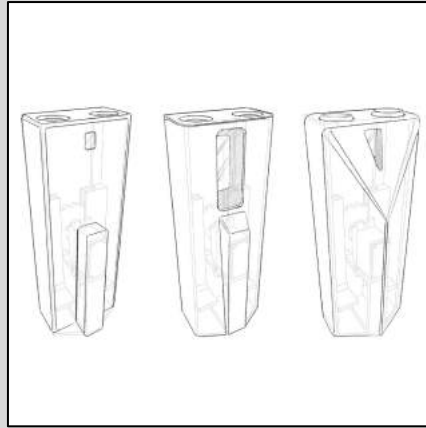


Final Prototype

Covipen Dispenser



Concept Prototype



Concept sketches

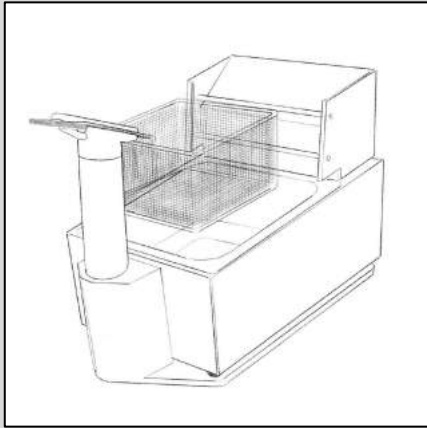


Prototyping & Electronics



Working prototype

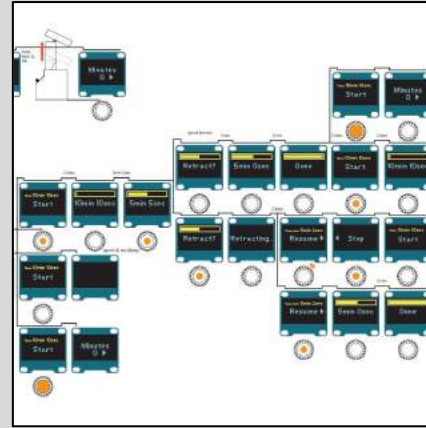
Automated Deep Fryer



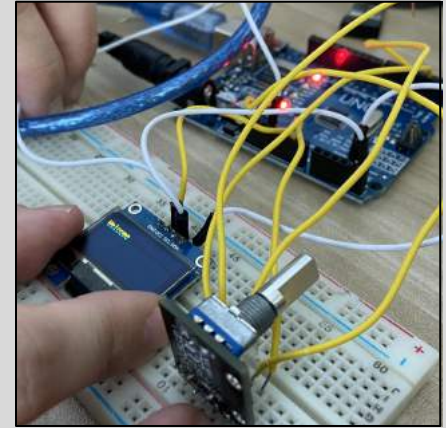
Idea Sketch



Prototype from CAD model

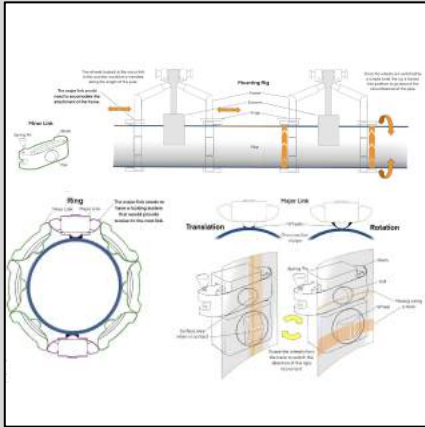


User Interface Logic



Electronics

Pipe Scanning Rig



Idea Generation



Quick CAD Modeling & 3D printing

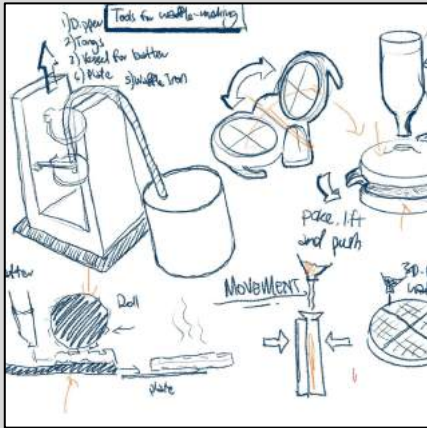


Prototyping

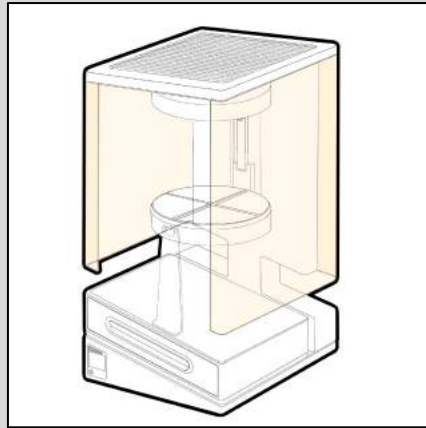


Working Prototype

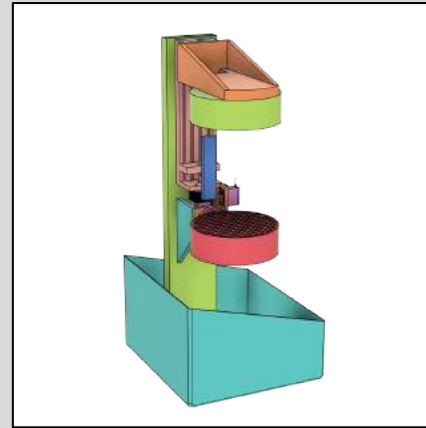
Automated Waffle maker



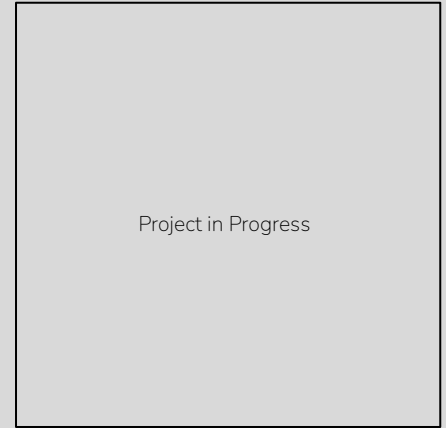
Idea Sketching



Concept Sketch



CAD Modeling

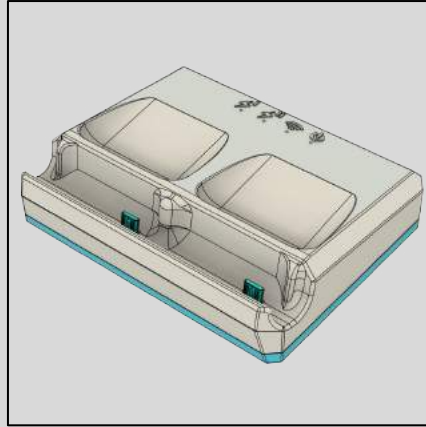


Prototype

Respiree



Electronics



CAD Modeling

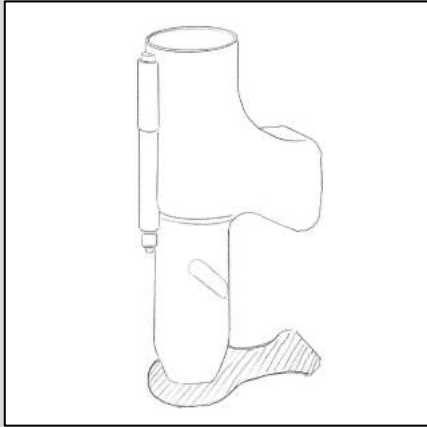


Prototyping

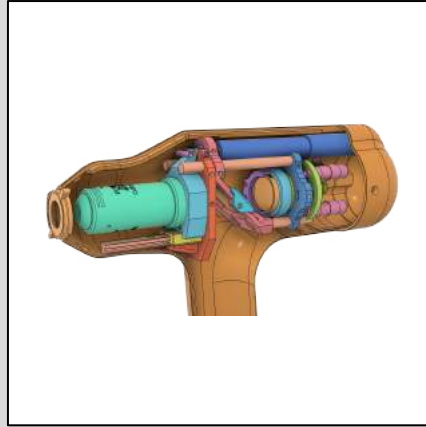


Assembly of components

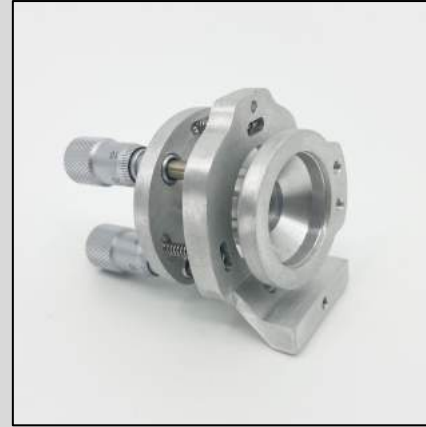
Helioderma



Concept Sketch



CAD



Machining of parts



Final Prototype

Teaching Aid for Freedom cups



Existing product



Concept

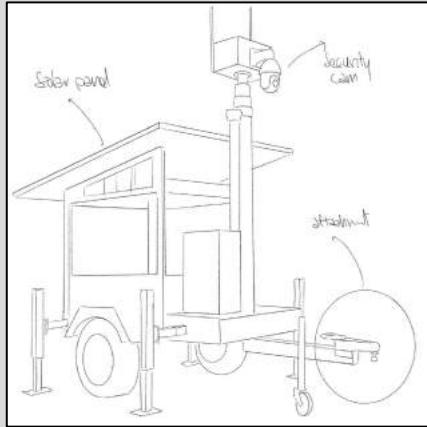


CAD model

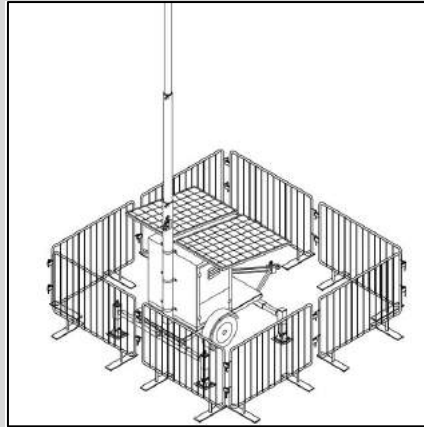


Final Product

Mobile Security Trailer



Concept Sketch



CAD model/Drawing

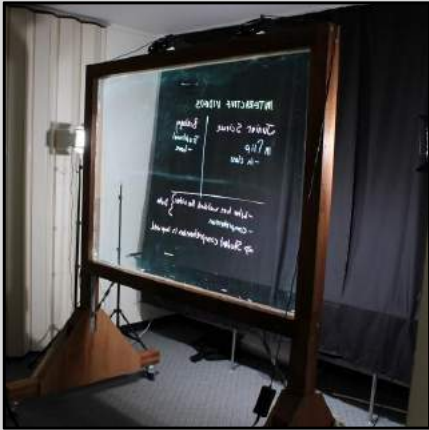


Procurement

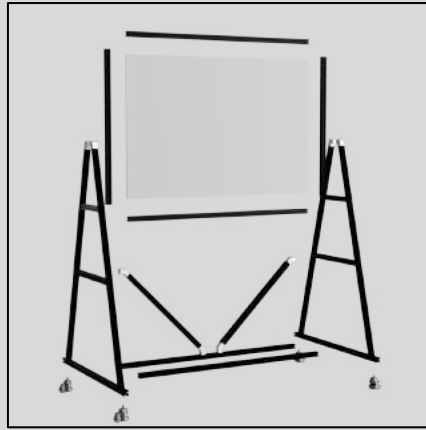


Final Product

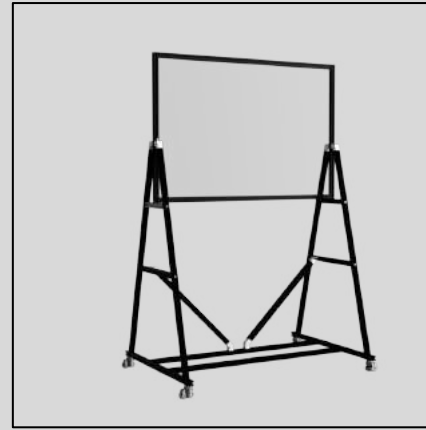
Lightboard



Existing Product



CAD mode in parts

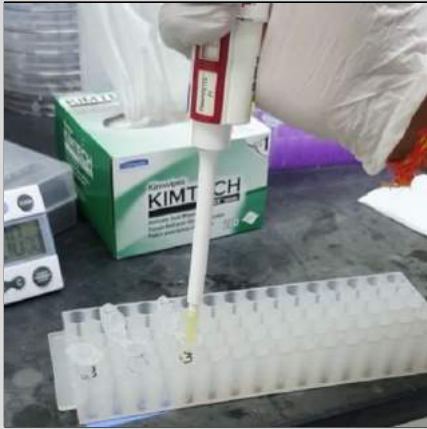


Product Render

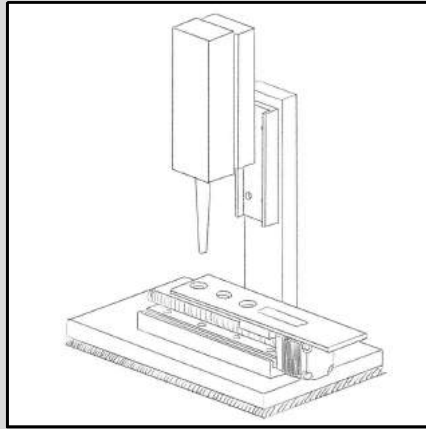


Final Product

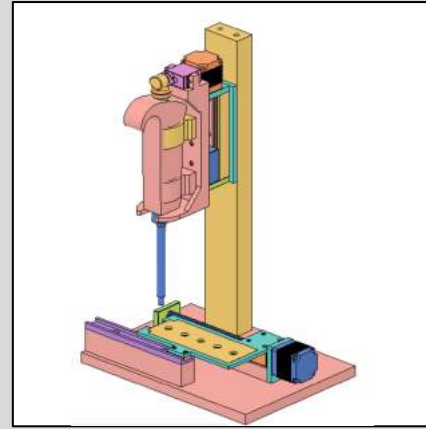
Pipette Robot



Problem Research



Idea Sketch

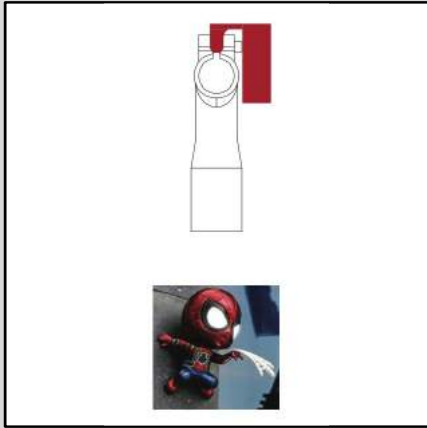


CAD model

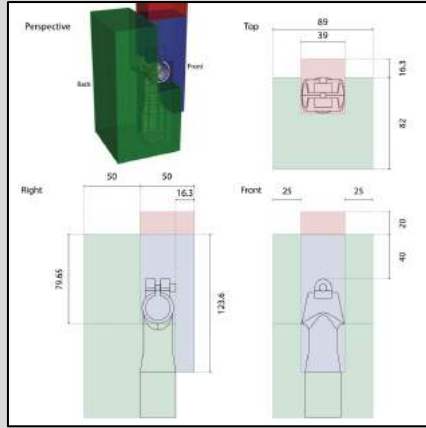


Final Product

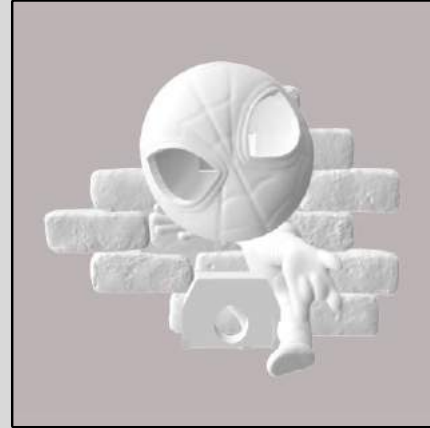
Brompton Bike Accessory



Idea to Explore



Measure limitations

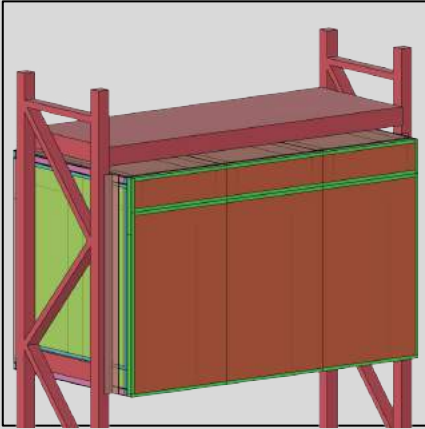


CAD model

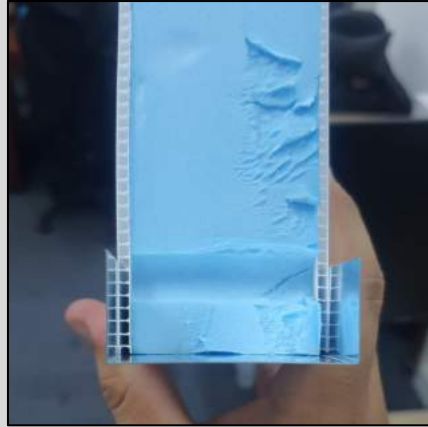


Final Product

Cooler Rack Storage



CAD Model



Test Build



Build Prototype



On-site Setup

Helioderma V3



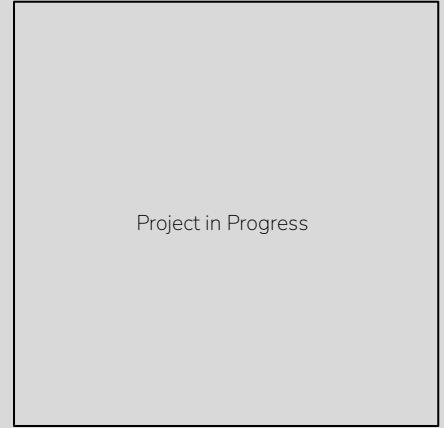
Form Exploration



User Testing



CAD model



Final Product

Think we can help you?

contact@mekainnovation.com