

メ —  
カ —  
m ē k ā

mēkā  
innovation design agency.

we develop customer-centric  
innovation - business models,  
products or services to help  
companies unlock new revenue  
streams.

# Innovation Design

## Stage 1: Discovery

We ask questions to ensure that we thoroughly understand the problem and parameters we are working within. This allows us to better address the client's and the users needs.

## Stage 2: Design

We come together to find ways to break barriers. We use what we have learnt to create scenarios and test outcomes till we arrive at a suitable starting point for development.

## Stage 3: Development

This is where we build. Whether it's a new product, service or a whole new business, we are ready for the challenge. Our small but effective team of designers and engineers will bring your ideas to life.

# Product Development Process

## Stage 1: Design

This is the planning phase. We research and ideate to gain critical insights to help you make better decisions.

This is a fixed cost - fixed timeline assignment.

## Stage 2: Prototype

This is the building phase. We build multiple prototypes to test different forms and functions to iterate to the best product possible.

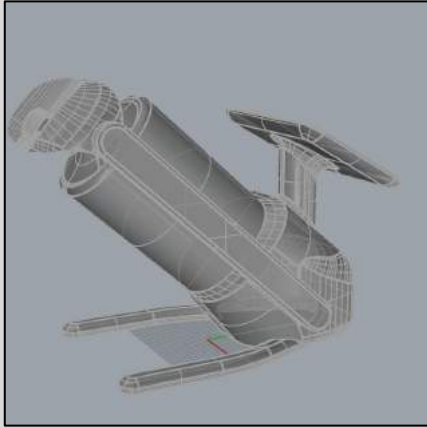
Costs and timeline for Stage 2: Prototype will be quoted for at the end of Stage 1.

## Stage 3: Building

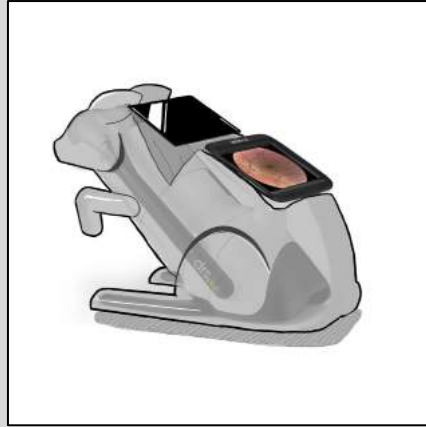
This is the production phase. We arrange manufacturing, either in-house or through partners to manufacture your products - on-time and to a high-quality.

Costs and timeline for Stage 3: Manufacture will be quoted for at the end of Stage 2.

# Mama Rabbit



Reverse Engineering



Idea Sketch



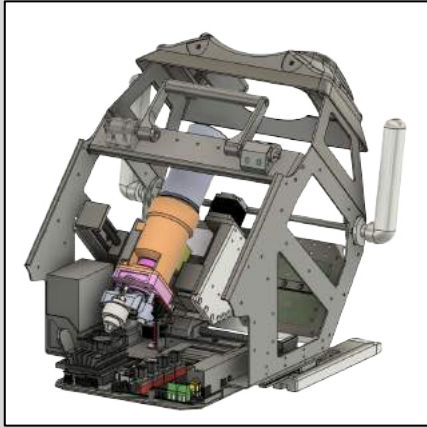
CAD Modeling



Manufacture Casing

Current status: Being manufactured by client

# Wallaby



Internal Structuring



Idea Sketch



CAD Modeling



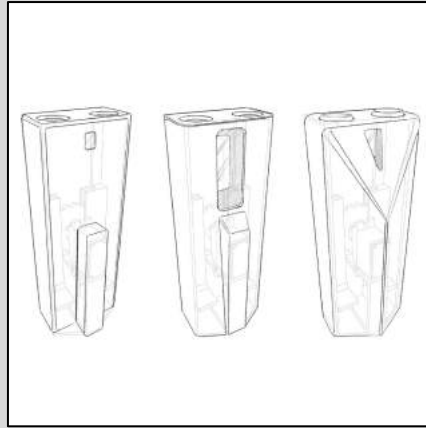
Prototyping

Current status: 2 revisions, project on hold by client.

# Covipen Dispenser



Concept Prototype



Concept sketches



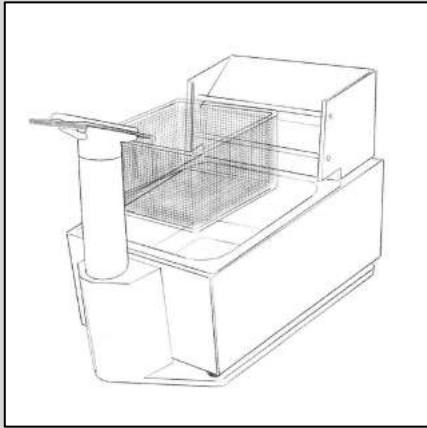
Prototyping & Electronics



Working prototype

Current status: Internal project concept and collaboration

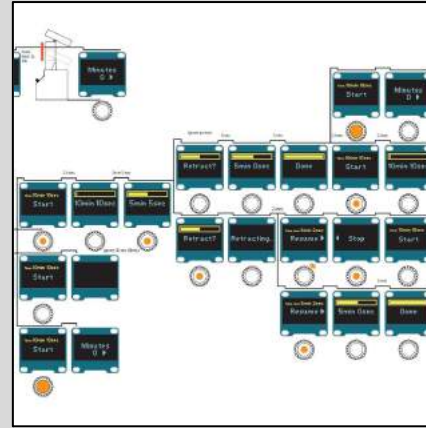
# Automated Deep Fryer



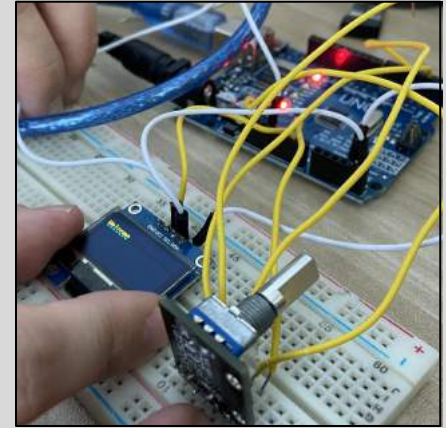
Idea Sketch



Prototype from CAD model



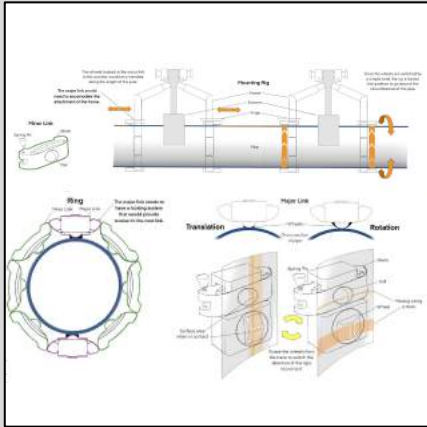
User Interface Logic



Electronics

Current status: Testing of 10 pieces

# Pipe Scanning Rig



Idea Generation



Quick CAD Modeling & 3D printing



Prototyping

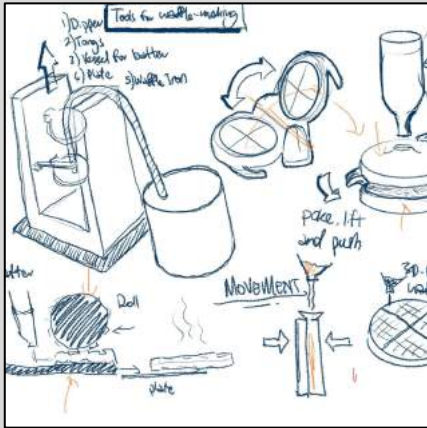


Working Prototype

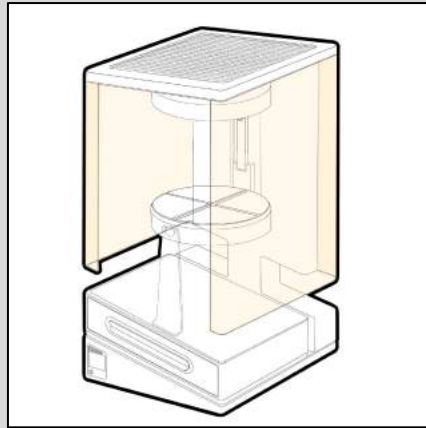
Current status: Project Cancelled



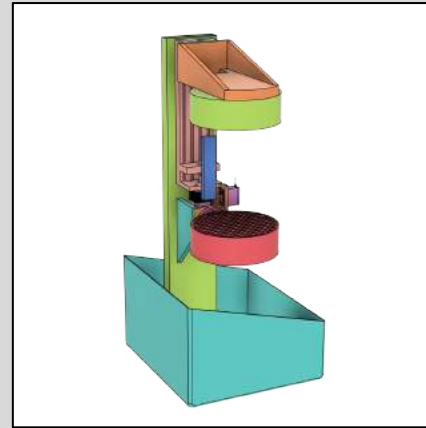
# Automated Waffle maker



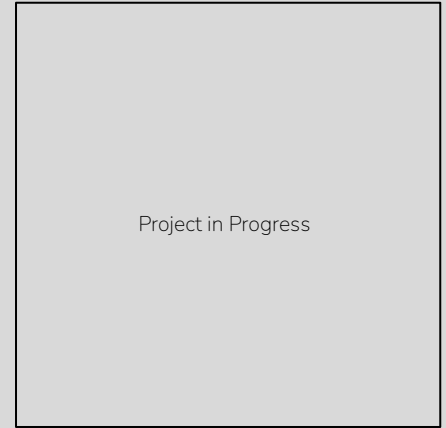
Idea Sketching



Concept Sketch



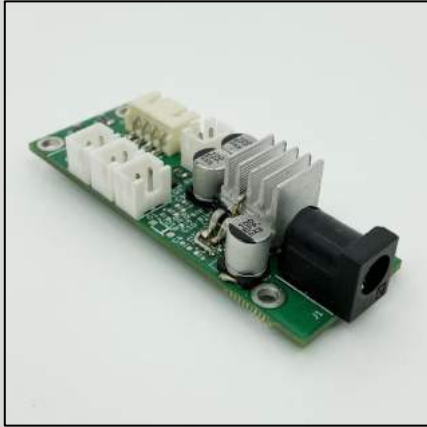
CAD Modeling



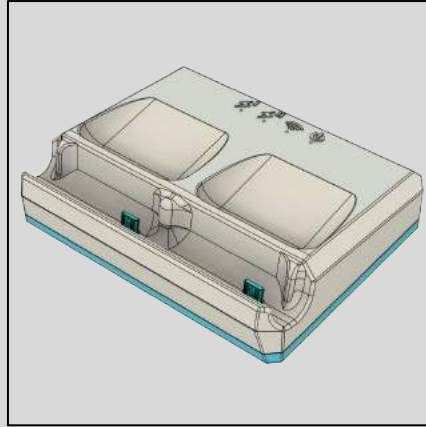
Prototype

Current status: Revision 2 in progress for small run testing

# Respiree



Electronics



CAD Modeling



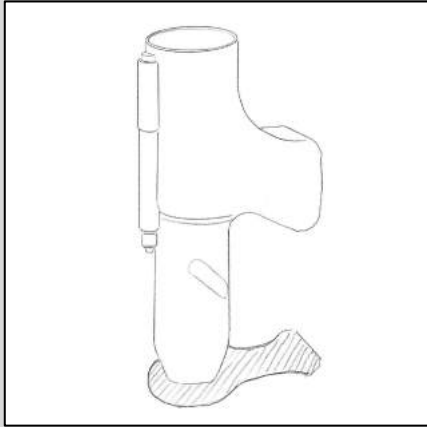
Prototyping



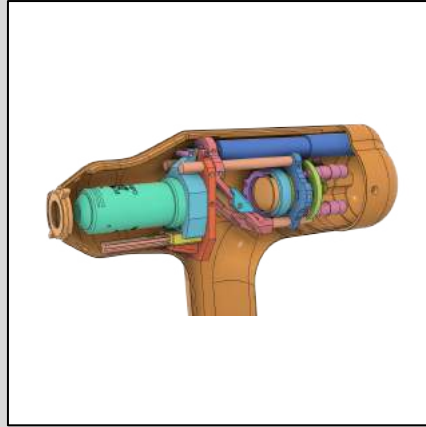
Assembly of components

Current status: Production of 300 pieces

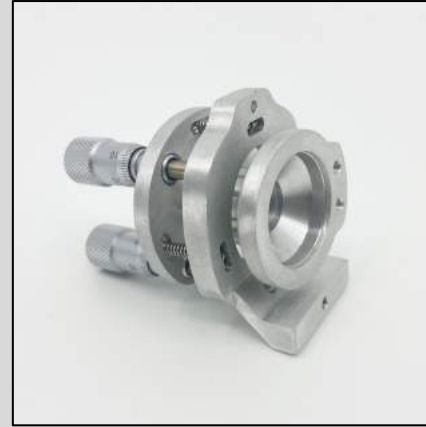
# Helioderma



Concept Sketch



CAD



Machining of parts



Final Prototype

Current status: Developing a more compact version

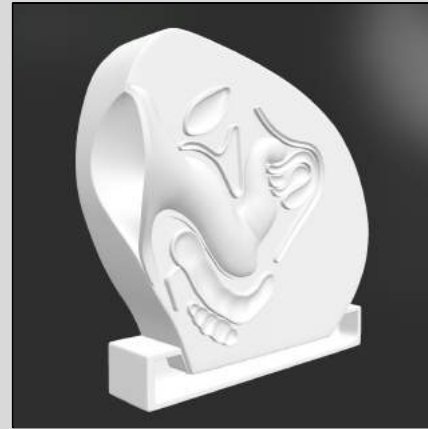
# Teaching Aid for Freedom cups



Existing product



Concept



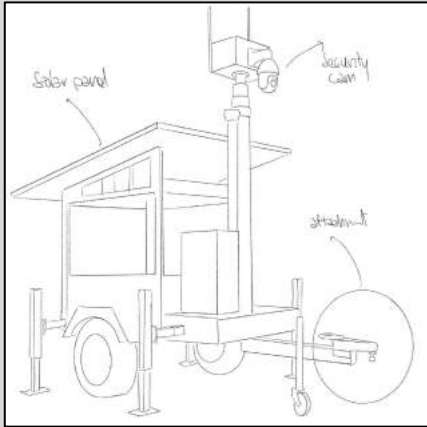
CAD model



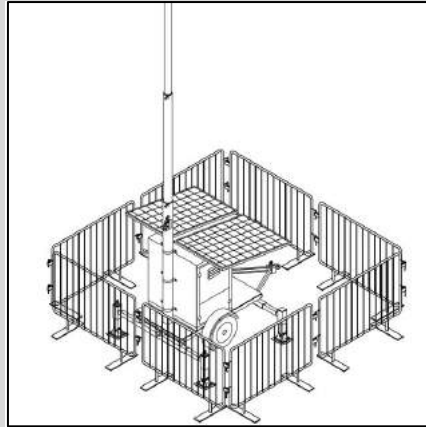
Final Product

Current status: In use for client training

# Mobile Security Trailer



Concept Sketch



CAD model/Drawing



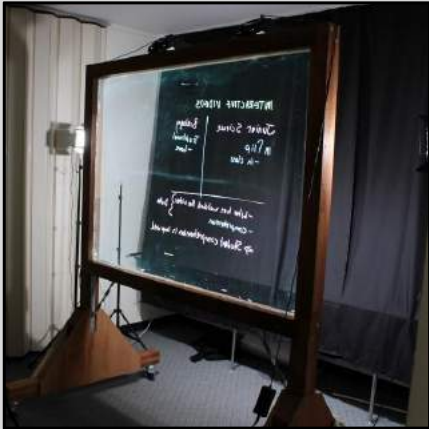
Procurement



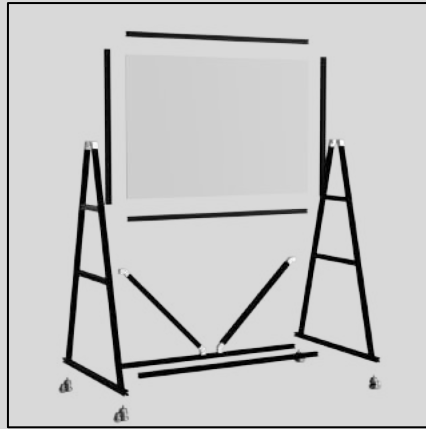
Final Product

Current status: Fully deployed on site

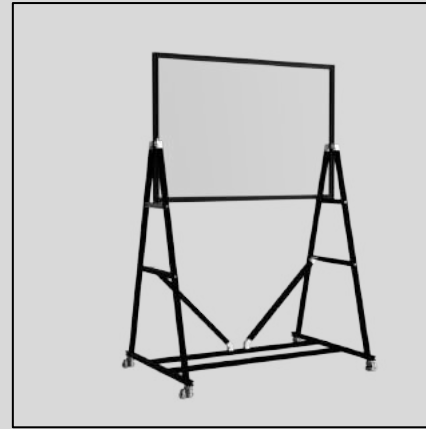
# Lightboard



Existing Product



CAD mode in parts



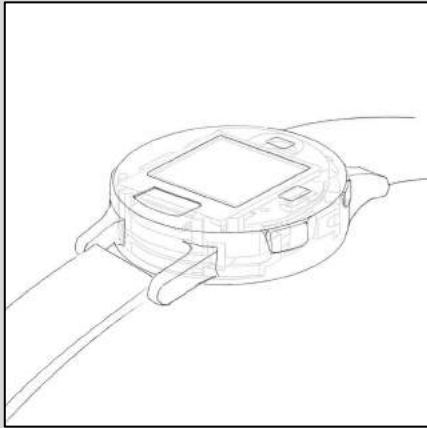
Product Render



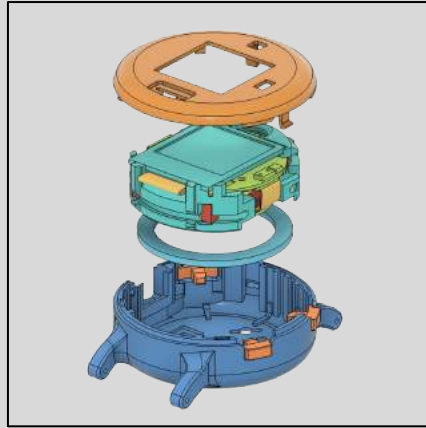
Final Product

Current status: On sale

# Watch



Concept Sketch



CAD model



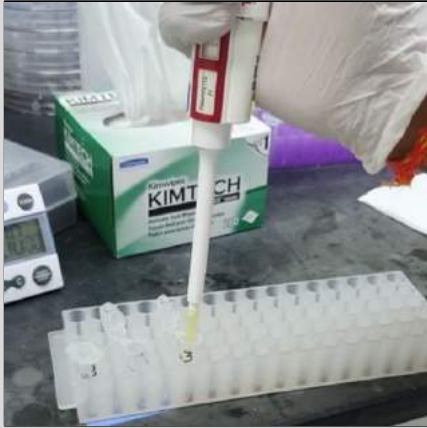
Prototyping & Electronics



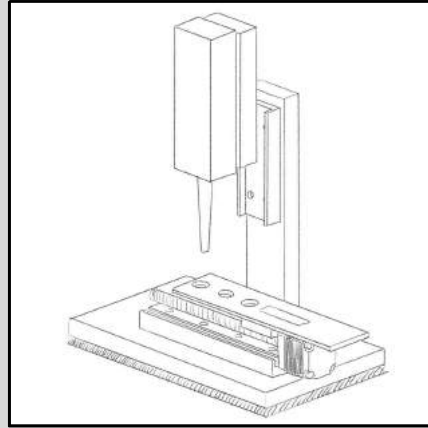
Final Prototype

Current status: In use by client

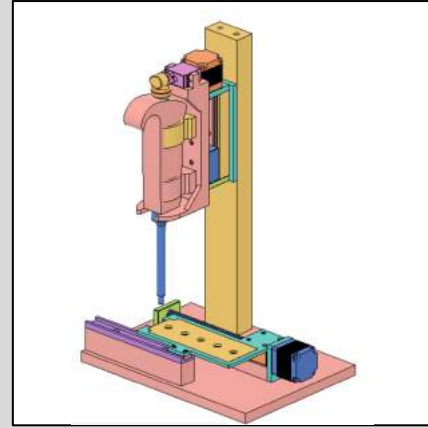
# Pipette Robot



Problem Research



Idea Sketch



CAD model

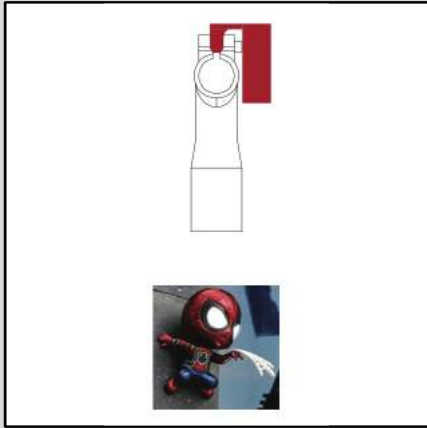


Final Product

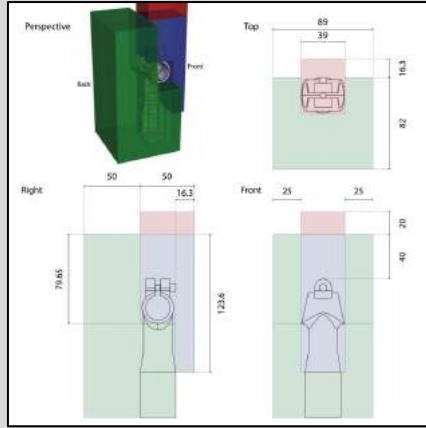
Current status: In use by client



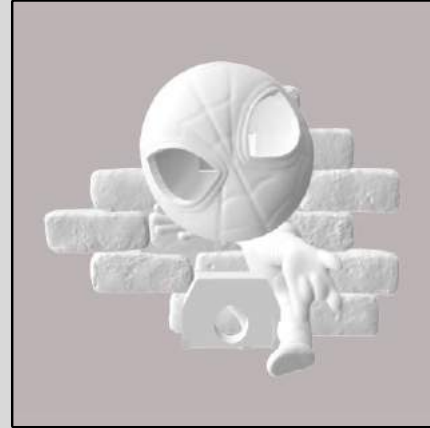
# Brompton Bike Accessory



Idea to Explore



Measure limitations

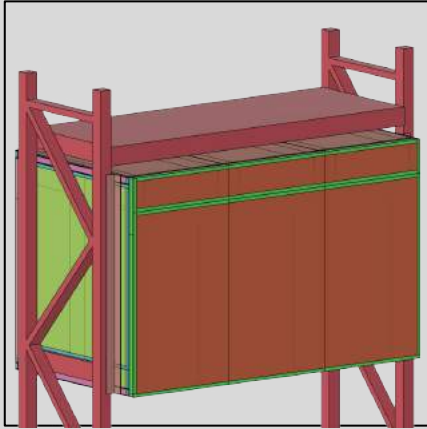


CAD model

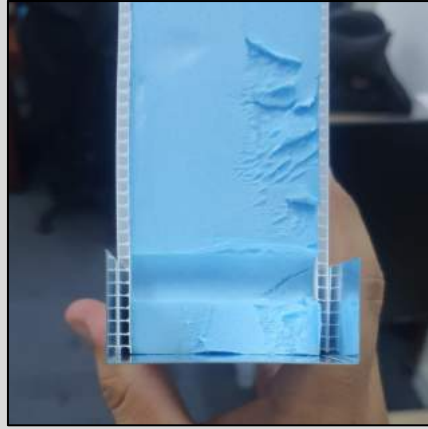


Final Product

# Cooler Rack Storage



CAD Model



Test Build



Build Prototype



On-site Setup

# Helioderma V3



Form Exploration



User Testing



CAD model



Final Product

Think we can help you?

[contact@mekainnovation.com](mailto:contact@mekainnovation.com)